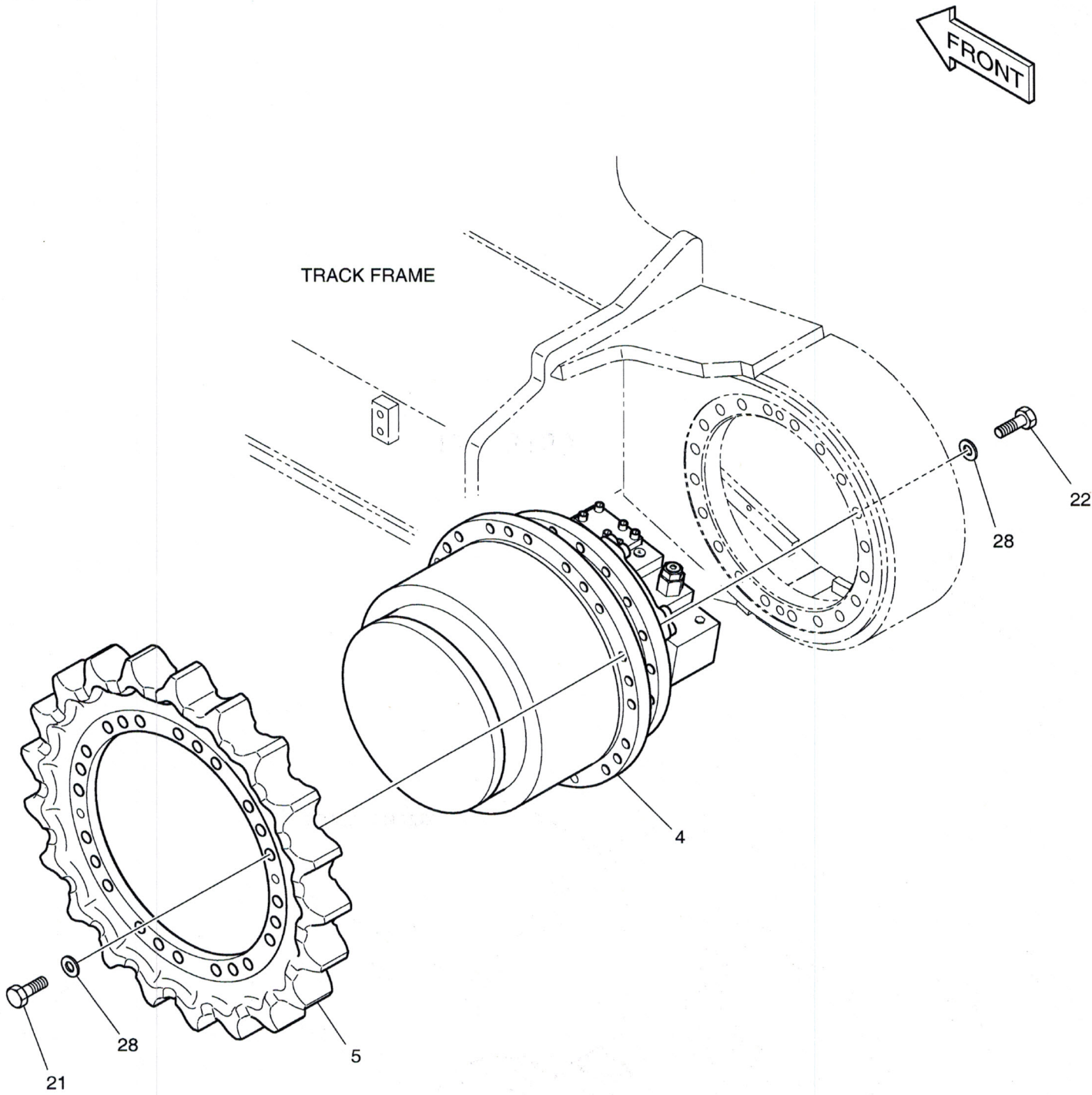


Fig. 2120



## Fig. 2120 TRAVEL DEVICE

Key No	Part No	Description	Qty	S.C	Serial No	ICA	Replacable	Qty
-	650105-00056	UNDERCARRIAGE ASSY	-	D				
4	170401-00048	DEVICE,TRAVEL	2		5001~5318			
4	170401-00048A	DEVICE,TRAVEL	2		5319~5812	I	170401-00048B	2
4	170401-00048B	DEVICE,TRAVEL	2		5813~			
5	108-00022B	SPROCKET	2		5001~5389	Y	200108-00055	2
5	200108-00055	SPROCKET	2		5390~			
21	S0570066	BOLT M20X2.5X60	48					
22	S0570366	BOLT M20X2.5X75	40					
28	2114-9012A	WASHER	88					