

## Technical Data

### Engine

|  |                               |
|--|-------------------------------|
| Model .....                            | DOOSAN DB58TIS                |
| Displacement (Total dis. volume) ..... | 5,785cc (1.5 gallon)          |
| Rated flywheel horse power             |                               |
| DIN 6271, net .....                    | 110KW (150PS)<br>at 1,950 rpm |
| SAE J1349, net .....                   | 110KW (148HP)<br>at 1,950 rpm |

### Hydraulic system

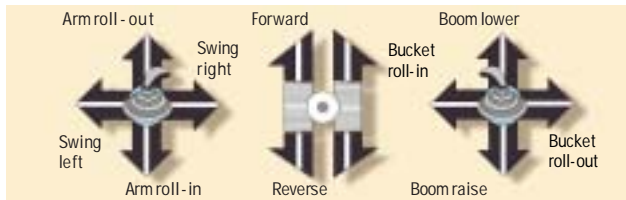
e-EPOS (Electronic Power Optimizing System) allows the operator to maximize work efficiency over a full range of operating conditions and to minimize fuel consumption.

- Hydraulic system assures fully independent and combined operations.
- Automatic 2 speed travel system for high traction force and travel speed.
- Cross-sensing and fuel saving pump system.
- Auto idle system.
- 2-Working / 2-power mode selection system.
- Computer aided engine-pump control.

|                          |   |
|--------------------------|---|
| Pumps type .....         | variable displacement axial piston  |
| Max. flow rate .....     | 2 × 215 ℓ/min (2 × 56.8 gallon)   |
| Main relief set pressure |   |
| Boom/Arm/ Bucket .....   | Normal : 330kgf/cm <sup>2</sup> (4,690 psi)<br>Power Boost : 350kgf/cm <sup>2</sup> (4,980 psi) |
| Travel circuit.....      | 330kgf/cm <sup>2</sup> (4,690 psi)  |

### Controls. 2 implement levers

|                          |                 |
|--------------------------|-----------------|
| Lever control type ..... | Hydraulic pilot |
| Lever pattern .....      | ISO             |



### Buckets

| Capacity                          |                                   | Width                |                   | Weight            | Recommendation    |
|-----------------------------------|-----------------------------------|----------------------|-------------------|-------------------|-------------------|
| PCSA, heaped                      | CECE, heaped                      | Without side cutters | With side cutters |                   | 8.5m (27'9") Boom |
|                                   |                                   |                      |                   |                   | 6.2m (20'3") Arm  |
| 0.39m <sup>3</sup><br>(0.51cu.yd) | 0.35m <sup>3</sup><br>(0.46cu.yd) | 766mm<br>(2'6")      | 861mm<br>(2'10")  | 374kg<br>(825 lb) | -                 |

### Undercarriage

Tractor type undercarriage. Heavy-duty track frame, all welded stress-relieved structure. Top grade materials are used for toughness. Side frames are welded, securely and rigidly, to the track frame. Lifetime-lubricated track rollers, idlers and sprockets with floating seals. Track shoes of induction-hardened rolled alloy with triple grousers. Specially heart-treated connecting pins. Track adjusters with shock-absorbing recoil springs.

|                        |                 |
|------------------------|-----------------|
| Shoe width .....       | 600mm (2')      |
| Tumbler distance ..... | 3,645mm (13'2") |

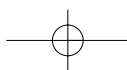
### Weight

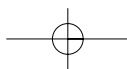
Equipped with 8.5m(27'9") boom, 6.2m(20'3") arm, and 0.39m<sup>3</sup>(0.51yd<sup>3</sup>; PCSA heaped) bucket.

| Shoe type      | Shoe width    | Operating weight         | Ground pressure                            |
|----------------|---------------|--------------------------|--|
| Triple grouser | 600mm (2')    | 23,600 kg<br>(52,000 lb) | 0.50kgf/cm <sup>2</sup><br>(49kpa, 7.1psi) |
|                | 700mm (2'4")  | 23,900 kg<br>(52,700 lb) | 0.43kgf/cm <sup>2</sup><br>(43kpa, 6.2psi) |
|                | 800mm (2'7")  | 24,200 kg<br>(53,400 lb) | 0.38kgf/cm <sup>2</sup><br>(38kpa, 5.5psi) |
|                | 900mm (2'11") | 24,500 kg<br>(54,000 lb) | 0.35kgf/cm <sup>2</sup><br>(34kpa, 4.9psi) |

### Service refill capacities

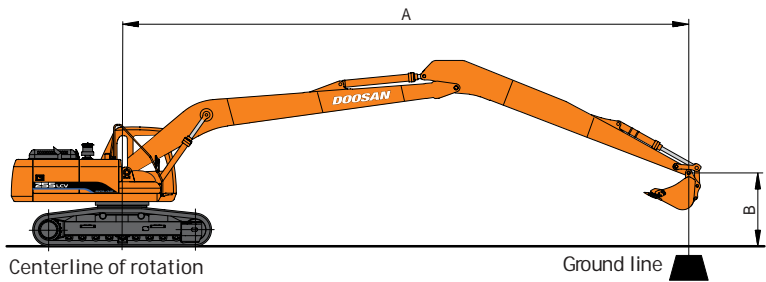
|                         | Liters | US gal | Imp gal |
|-------------------------|--------|--------|---------|
| Fuel tank .....         | 350    | 92.5   | 77      |
| Cooling system .....    | 42     | 11.1   | 9.2     |
| Lubrication             | Liters | US gal | Imp gal |
| Engine oil .....        | 19.0   | 4.8    | 4.0     |
| Swing drive .....       | 5.0    | 1.3    | 1.1     |
| Final drive(each) ..... | 5.4    | 1.44   | 1.2     |
| Hydraulic system .....  | 240    | 63.4   | 52.8    |
| Hydraulic tank .....    | 140    | 37     | 30.8    |





# Lifting Capacities

## Standard



Boom : 8.5m (27'9")  
 Arm : 6.2m (20'3")  
 Bucket : PCSA 0.39m<sup>3</sup> (CECE 0.34m<sup>3</sup>)  
 Shoe : 600mm (2')

### Metric

Unit : 1,000 kg

| A (m) | 2           | 3           | 4           | 5           | 6           | 7           | 8           | 9          | 10         | 11         | 12         | 12         | 14  | Max. Reach        |
|-------|-------------|-------------|-------------|-------------|-------------|-------------|-------------|------------|------------|------------|------------|------------|---|-------------------|
| B (m) | □           | □           | □           | □           | □           | □           | □           | □          | □          | □          | □          | □          | □   | □                 |
| 11    |             |             |             |             |             |             |             |            |            |            | *0.82      | *0.82      |   | *0.80 *0.80 11.02 |
| 10    |             |             |             |             |             |             |             |            |            |            | *1.41      | *1.41      |   | *0.79 *0.79 11.78 |
| 9     |             |             |             |             |             |             |             |            |            |            | *1.77      | *1.77      | *1.19 *1.19   | *0.79 *0.79 12.42 |
| 8     |             |             |             |             |             |             |             |            |            |            | *1.90      | *1.90      | *1.60 *1.60   | *0.79 *0.79 12.95 |
| 7     |             |             |             |             |             |             |             |            |            |            | *1.96      | *1.96      | *1.91 *1.91 *1.22 *1.22   | *0.80 *0.80 13.39 |
| 6     |             |             |             |             |             |             |             |            |            |            | *2.08      | *2.08      | *2.04 *2.04 *2.01 1.97 *1.57 *1.57  | *0.82 *0.82 13.74 |
| 5     |             |             |             |             |             |             |             |            |            |            | *2.22      | *2.22      | *2.15 *2.15 *2.09 1.93 *1.86 1.64 *0.85 *0.85 *0.85 *0.85 14.00                                   |                   |
| 4     |             |             |             |             |             |             |             |            |            |            | *2.53      | *2.53      | *2.38 *2.38 *2.27 2.21 *2.18 1.88 *2.10 1.61 *1.14 *1.14 *0.88 *0.88 14.19                        |                   |
| 3     |             |             |             |             |             |             |             |            |            |            | *3.37      | *3.37      | *3.02 *3.02 *2.76 *2.76 *2.56 2.53 *2.40 2.15 *2.28 1.84 *2.18 1.57 *1.35 *1.35 *0.92 *0.92 14.31 |                   |
| 2     |             | *4.57 *4.57 | *7.27 *7.27 | *5.51 *5.51 | *4.47 *4.47 | *3.81 *3.81 | *3.34 *3.34 | *3.00 2.89 | *2.74 2.44 | *2.54 2.08 | *2.38 1.78 | *2.25 1.54 | *1.48 1.33  | *0.96 *0.96 14.36 |
| 1     |             | *2.86 *2.86 | *6.49 *6.49 | *6.31 *6.31 | *5.04 5.01  | *4.21 4.03  | *3.64 3.32  | *3.23 2.78 | *2.92 2.36 | *2.67 2.02 | *2.48 1.73 | *2.32 1.50 | *1.54 1.30  | *1.02 *1.02 14.33 |
| 0     | *1.55 *1.55 | *2.73 *2.73 | *5.01 *5.01 | *6.92 6.13  | *5.50 4.77  | *4.57 3.85  | *3.91 3.18  | *3.44 2.68 | *3.08 2.28 | *2.80 1.96 | *2.57 1.69 | *2.39 1.47 | *1.49 1.28  | *1.08 *1.08 14.24 |
| -1    | *2.12 *2.12 | *3.02 *3.02 | *4.73 *4.73 | *7.33 5.91  | *5.85 4.59  | *4.85 3.71  | *4.14 3.07  | *3.62 2.59 | *3.22 2.21 | *2.91 1.90 | *2.65 1.65 | 2.41 1.44  | *1.30 1.26  | *1.16 *1.16 14.07 |
| -2    | *2.70 *2.70 | *3.48 *3.48 | *4.92 *4.92 | *7.47 5.77  | *6.09 4.46  | *5.06 3.60  | *4.31 2.98  | *3.76 2.52 | *3.33 2.15 | *2.99 1.86 | 2.70 1.62  | 2.39 1.41  |   | *1.26 *1.26 13.83 |
| -3    | *3.29 *3.29 | *4.03 *4.03 | *5.33 *5.33 | *7.58 5.69  | *6.21 4.38  | *5.18 3.53  | *4.42 2.92  | *3.85 2.47 | *3.40 2.11 | 3.04 1.83  | 2.67 1.59  | 2.37 1.40  |   | *1.38 1.32 13.51  |
| -4    | *3.91 *3.91 | *4.65 *4.65 | *5.90 *5.90 | *7.61 5.66  | *6.22 4.34  | *5.22 3.48  | *4.47 2.88  | *3.89 2.43 | *3.43 2.08 | 3.02 1.81  | 2.66 1.58  | *1.78 1.40 |   | *1.52 1.38 13.11  |
| -5    | *4.55 *4.55 | *5.33 *5.33 | *6.60 *6.60 | *7.45 5.66  | *6.14 4.33  | *5.18 3.47  | *4.45 2.86  | *3.87 2.42 | *3.40 2.07 | 3.01 1.80  | *2.66 1.58 |            |   | *1.72 1.47 12.61  |

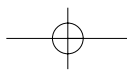
### Feet

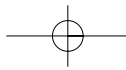
Unit : 1,000 lb

| A (ft) | 10'    | 15'                  | 20'                    | 25'         | 30'        | 35'  | 40'                                      | 45'                | Max. Reach         |
|--------|--------|----------------------|------------------------|-------------|------------|--|--|--------------------|--------------------|
| B (ft) | □      | □                    | □                      | □           | □          | □  | □  | □                  | □                  |
| 35'    |        |                      |                        |             |            |  | *2.86                                    | *2.86              | *1.76 *1.76 37'03" |
| 30'    |        |                      |                        |             |            |  |  | *2.08 *2.08        | *1.74 *1.74 40'48" |
| 25'    |        |                      |                        |             |            |  | *4.23                                    | *4.23 *3.55 *3.55  | *1.76 *1.76 43'08" |
| 20'    |        |                      |                        |             |            |  | *4.51                                    | *4.51 *4.41 4.21   | *1.81 *1.81 44'97" |
| 15     |        |                      |                        |             |            | *5.26  | *5.26 *4.91 *4.91 *4.65 4.09 *2.93 *2.93 | *1.90 *1.90 46'23" |                    |
| 10'    |        |                      |                        |             | *6.89      | *6.89 *5.99 *5.99 *5.39 5.00 *4.96 3.93 *3.68 3.11 | *2.02 *2.02 46'94"                       |                    |                    |
| 5'     | *7.83  | *7.83 *14.58 *14.58  | *10.29 *10.29          | *8.07 8.04  | *6.75 6.10 | *5.89 4.76   | *5.29 3.77                               | *4.15 3.02         | *2.18 *2.18 47'09" |
| 0'     | *6.19  | *6.19 *15.84 15.31   | *11.90 10.28           | *9.12 7.53  | *7.45 5.76 | *6.36 4.53   | *5.59 3.62                               | *4.24 2.93         | *2.39 *2.39 46'72" |
| -5     | *7.28  | *7.28 *13.62 *13.62  | *12.95 9.74            | *9.90 7.14  | *8.00 5.49 | *6.73 4.35   | *5.82 3.50                               | *3.67 2.86         | *2.67 *2.67 45'79" |
| -10    | *9.05  | *9.05 *14.29 *14.29  | *13.44 9.44            | *10.34 6.89 | *8.34 5.31 | *6.95 4.22   | 5.75 3.42                                |                    | *3.05 2.91 44'27"  |
| -15    | *11.19 | *11.19 *16.20 14.27  | *13.41 9.33            | *10.42 6.78 | *8.41 5.21 | 6.93 4.15  | 5.73 3.40                                |                    | *3.59 3.15 42'11"  |
| -20    | *13.66 | *13.66 *17.16 14.42  | *12.86 9.36            | *10.09 6.78 | *8.14 5.21 | *6.65 4.17   |  |                    | *4.42 3.56 39'19"  |
| -25    | *16.55 | *16.55 *15.40 14.72  | *11.74 9.53            | *9.26 6.89  | *7.40 5.31 | *5.78 4.30   |  |                    | *5.67 4.25 35'32"  |
| -30    | *17.44 | *17.44 *12.71 *12.71 | *9.81 *9.81 *7.67 7.15 | *5.78 5.57  |            |  |  |                    | *5.72 5.53 30'14"  |
| -35    |        |                      | *6.48 *6.48            |             |            |  |  |                    | *5.39 *5.39 22'75" |

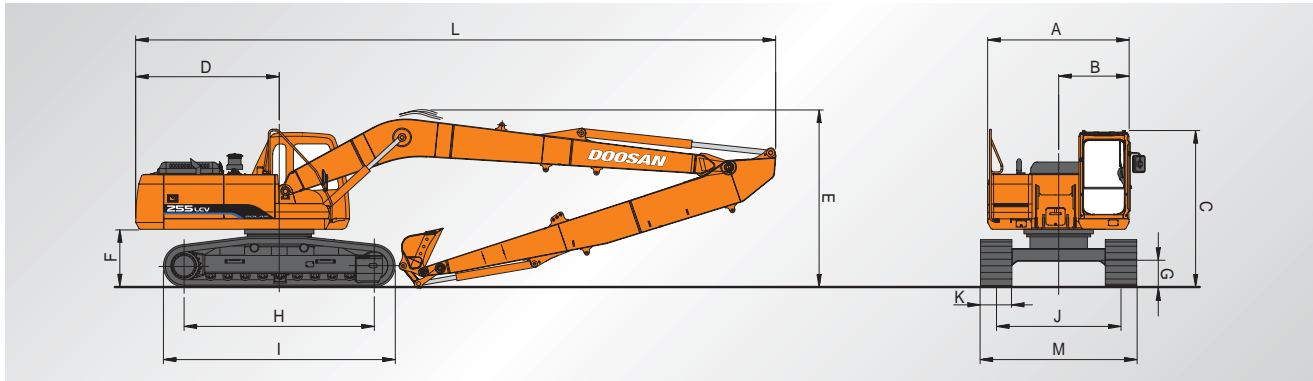
Note 1. The load point is a hook located on the back of the bucket.  
 2. " \* " Rated loads are based on hydraulic capacity.  
 3. Rated loads do not exceed 87% of hyd . capacity or 75% of tipping capacity.

□ : Rating over front  
 □ : Rating over side or 360 degree  
 ○ : Ground



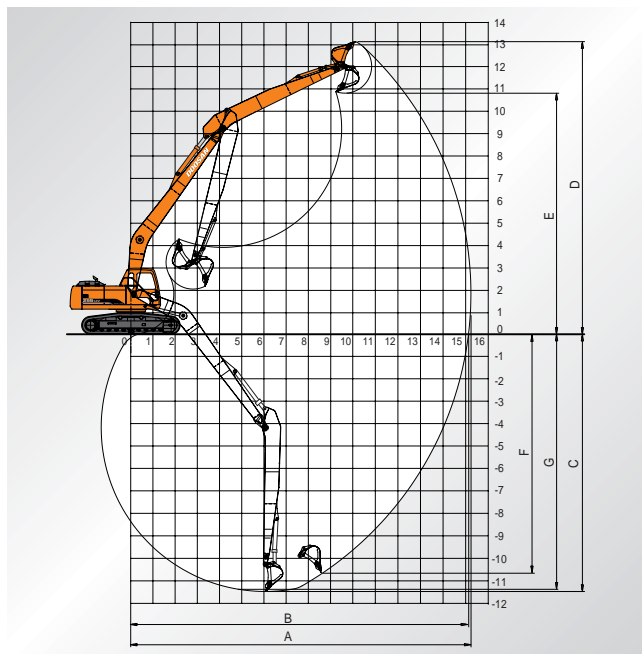


**Dimensions (8.5m(27'9") Boom, 6.2m(20'3") Arm, 600mm(2') Shoe)**



|  |                  |
|--|------------------|
| A Overall width of upper structure         | 2,710mm (8'11")  |
| B Overall width of cab                     | 1,350mm (4'5")   |
| C Overall height of cab                    | 3,000mm (9'10")  |
| D Tail swing radius                        | 2,750mm (9')     |
| E Overall height                           | 3,360mm (11')    |
| F Clearance under counterweight            | 1,105mm (3'8")   |
| G Ground clearance                         | 480mm (1'7")     |
| H Tumbler distance                         | 3,645mm (12')    |
| I Track length                             | 4,440mm (14'7")  |
| J Track gauge                              | 2,390mm (7'10")  |
| K Track shoe width                         | 600mm (2')       |
| L Overall length                           | 12,260mm (40'3") |
| M Overall track width with 600mm (2') shoe | 2,990mm (9'10")  |

**Working ranges**



**Digging forces (Maximum radial tooth forces)**

|                        | 6.2m (20'3") Arm                 |
|------------------------|----------------------------------|
| Bucket digging force * | 8,400 kgf<br>82 kN<br>18,500 lbf |
| Arm digging force *    | 5,800 kgf<br>57 kN<br>12,800 lbf |

\*At power boost

|                                       |                   |
|---------------------------------------|-------------------|
| Boom length                           | 8.5m (27'9")      |
| Arm length                            | 6.2m (20'3")      |
| A. Max. digging reach                 | 15,390mm (50'6")  |
| B. Max. digging reach at ground level | 15,280mm (50'2")  |
| C. Max. digging depth                 | 11,650mm (38'3")  |
| D. Max. digging height                | 13,250mm (43'6")  |
| E. Max. dumping height                | 10,910mm (35'10") |
| F. Max. vertical wall digging depth   | 10,790mm (35'5")  |
| G. Max. digging depth (8' level)      | 11,550mm (37'11") |



**Doosan Infracore**  
www.doosaninfracore.com

The illustrations do not necessary show the product in standard version.  
All products and equipments are not available in all markets.  
Materials and specifications are subjects to change without prior notice. PBP S225C50S 0703

**Seoul Office**  
Doosan Tower 27<sup>th</sup> FL. 18-12, Euljiro-6Ga,  
Jung-Gu, Seoul, Korea 100-730  
Tel : +82-2-3398-8114  
Fax : +82-2-3398-8117

**Doosan Infracore Europe S.A.**  
1A, Rue Achille Degrâce, 7080 Frameries, Belgium  
Tel : +32-65-61-3230 Fax : +32-65-67-7338

**Doosan Infracore U.K., Ltd.**  
Doosan House, Unit 6, 3 Heol Y Gamlas, Parc  
Nantgarw, Nantgarw, Cardiff. CF15 7QU, U.K.  
Tel : +44-1443-84-2273 Fax : +44-1443-84-1933

**Doosan Infracore Europe S.A. Germany**  
Heinrich-von-Stephan str. 2 40764 Langenfeld,  
Germany  
Tel : +49-2173-2035-210 Fax : +49-2173-2035-219

**Doosan Infracore France**  
ZAC de La Clef Saint Pierre - Buroplus 2 1A Avenue Jean  
d'Alembert 78990 Elancourt, France  
Tel : +33-(0)1-30-16-21-41 Fax : +33-(0)1-30-16-21-44

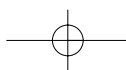
**Doosan Infracore America Corporation**  
2905 Shawnee Industrial Way, Suwanee, Georgia  
30024, U. S. A  
Tel : +1-770-831-2200 Fax : +1-770-831-0480

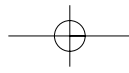
**Doosan Infracore China Co., Ltd.**  
#28, Wuzhishan Road, Eco. & Tech, Development Zone, Yantai, Shandong, China  
Tel : +86-535-638-2000 Fax : +86-535-638-2004

**Doosan Infracore South Africa (PTY) LTD.**  
60C Electron Road, Isando 1600, Johannesburg, South Africa  
Tel : 27-11-974-2095 Fax : 27-11-974-2778

**Doosan Infracore Middle East Center (Dubai)**  
P.O.Box 183127, Al-Serkal Building, Air Port Road, Dubai, U.A.E  
Tel : +971-4-295-2781~2 Fax : +971-4-295-2783

**Doosan Infracore Latinamerica oficina (Colombia)**  
Dia gonal 127 A No. 17-14, oficina 302 Bogota, Colombia  
Tel : +571-216-1655 Fax : +571-648-7700





Doosan Infracore  
Construction Equipment

# SOLAR225LCV SLR

Engine Power : DIN 6271,net      110kw(150ps)@1,950 rpm  
   SAE J 1349,net      110kw(148HP)@1,950 rpm

Operational Weight : 23,600 kg (52,023 lb)

Bucket capacity(PCSA) : 0.39m<sup>3</sup>(0.51 cu.yd)

