

Fig. 2120

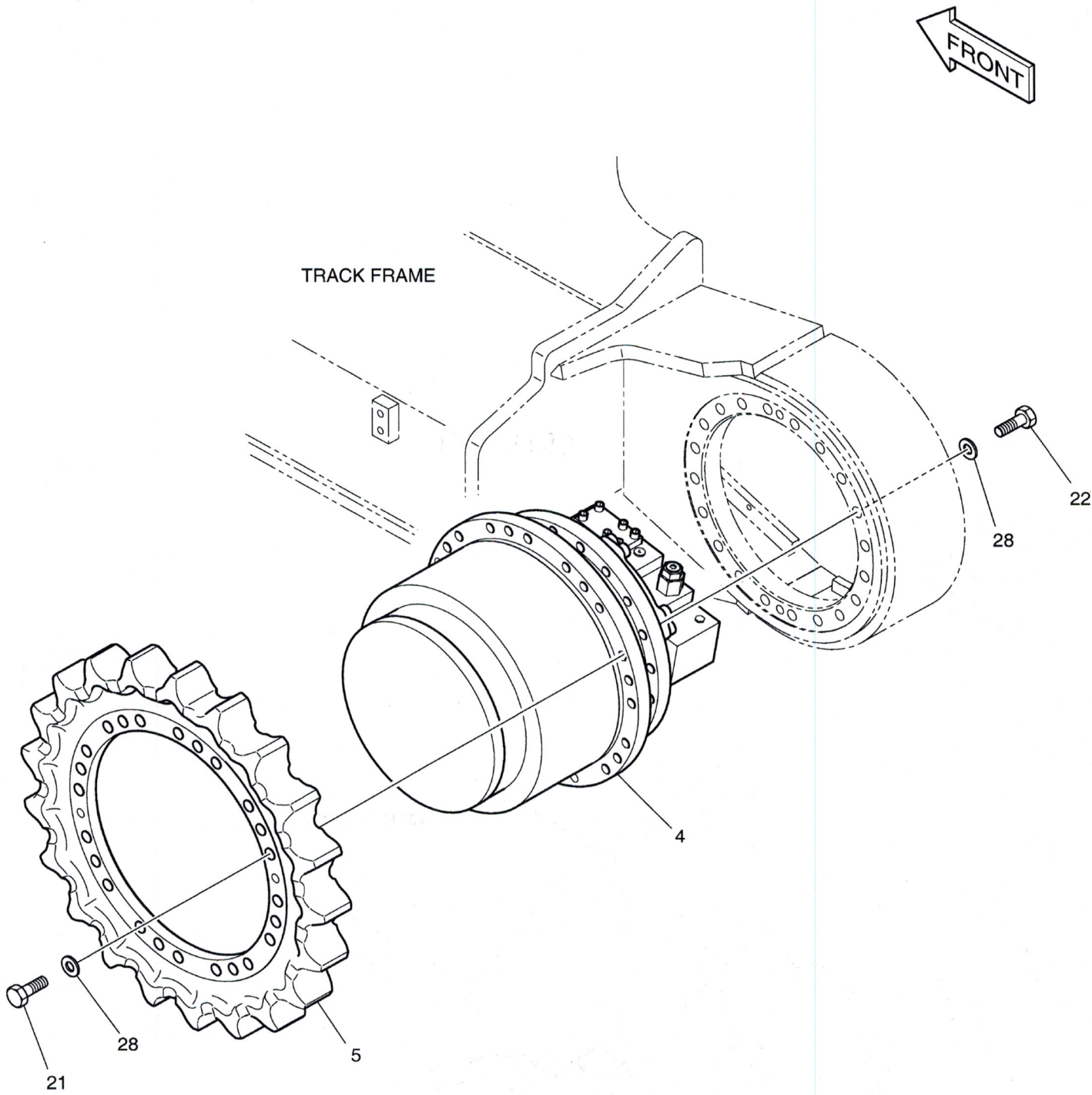


Fig. 2120 TRAVEL DEVICE

| Key No | Part No | Description | Qty | S.C | Serial No | ICA | Replacable | Qty |
|--------|---------------|--------------------|-----|-----|-----------|-----|---------------|-----|
| - | 650105-00056 | UNDERCARRIAGE ASSY | - | D | | | | |
| 4 | 170401-00048 | DEVICE,TRAVEL | 2 | | 5001~5318 | | | |
| 4 | 170401-00048A | DEVICE,TRAVEL | 2 | | 5319~5812 | I | 170401-00048B | 2 |
| 4 | 170401-00048B | DEVICE,TRAVEL | 2 | | 5813~ | | | |
| 5 | 108-00022B | SPROCKET | 2 | | 5001~5389 | Y | 200108-00055 | 2 |
| 5 | 200108-00055 | SPROCKET | 2 | | 5390~ | | | |
| 21 | S0570066 | BOLT M20X2.5X60 | 48 | | | | | |
| 22 | S0570366 | BOLT M20X2.5X75 | 40 | | | | | |
| 28 | 2114-9012A | WASHER | 88 | | | | | |